

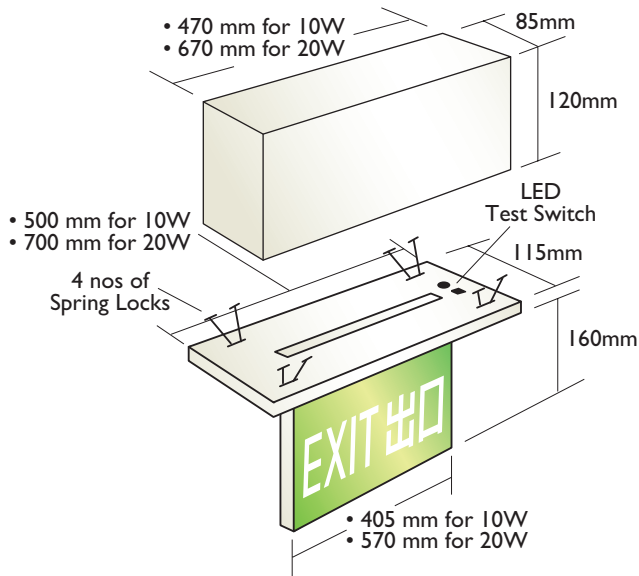
# "VERSATILITE" SERIES

"Versatilite" 系列

Sometimes, a designer may face difficulty in using an exit sign plate with bottom access. However, a screw bottom opening may destroy the complete design of ceiling. A new concept of spring lock opening method shall solve the problem. The "Versatilite" exit sign plate is constructed by 4 units of spring lock catch which enables the user to pull the bottom panel of the exit sign easily. No screw will be applied because of spring lock opening. The designer can select different colour of bottom panel to match the colour of false ceiling.

## Standards

- BS 5266 – Part I
- BS EN 60598-2-22 (850°C hot wire test)
- FSD PPA 104(A) 4<sup>th</sup> Revision



"CRYSTALITE" Cat. CX-10-NP2-VL

1x10W 'Versatilite', Emergency fluorescent light exit sign plate



4 units of spring lock catch inside the exit sign box

## Technical Data

Model	CX-10-NP2-VL	CX-20-NP2-VL
System Mode	Maintained Type	Maintained Type
Normal Output	10W	18/20W
Emergency Output	250 lumens	350 lumens
Discharge Duration	2 Hours	2 Hours
Battery	Sealed Ni-cd /Ni-mh High Temperature Rechargeable Battery	
	6V 1.5Ah	6V 2.2Ah
Operating Temperature	0°C - 50°C	
Recharge Period	12 Hours	
Line Voltage	A/C 220V~240V 50Hz +6%-10%	
Compliance	BS EN 60598-2-22 ; BS 5266-1, FSD PPA 104A (4 <sup>th</sup> Revision)	